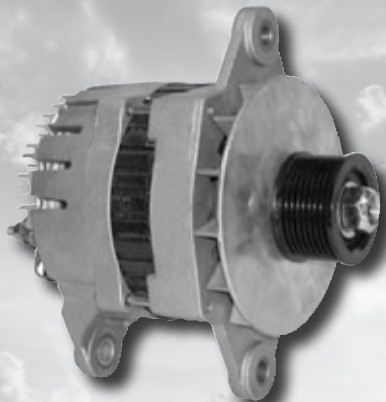




LEECE-NEVILLE ALTERNATORS

At Unbeatable Prices

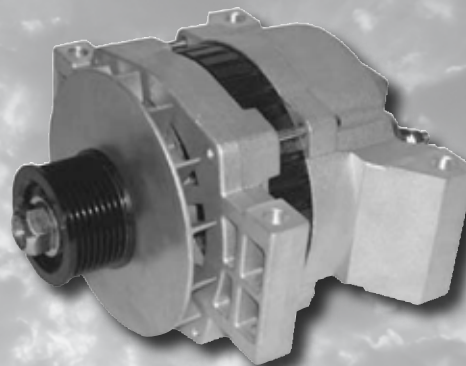
A DIRECT REPLACEMENT FOR THE DELCO 22SI™



EDN-A901
Dual Foot, J180 Mount**

Leece-Neville	Delco Remy
110-444 (150A)	19020309 (130A) 19020310 (150A)

\$139.95 ea.



EDN-A902
Pad Mount**

Leece-Neville	Delco Remy
110-444P (150A)	19020888 (130A) 19020889 (150A)

\$145.20 ea.

150 AMP

1 YEAR WARRANTY

NEW! NOT REMANUFACTURED

PRODUCT COMPARISON

EDN-A901	22SI™
External heat sink improves field rectifier cooling	Internal rectifier does not cool efficiently
Sealed brush box assembly increases durability	Brush is not sealed
Vibration tested to meet Class 8 Heavy Truck requirements	Design has openings to allow ingress of dust, dirt and grime

Save Money and Consolidate Inventory!

** Pulleys are for illustrative purposes only, and are not included.

6167 Pepsi Way
Windsor, WI 53598
(800) 735-9774
(800) 237-5984 fax
disnet.com



DIESEL INJECTION SERVICE, INC.
DIS ELECTRICAL WAREHOUSE